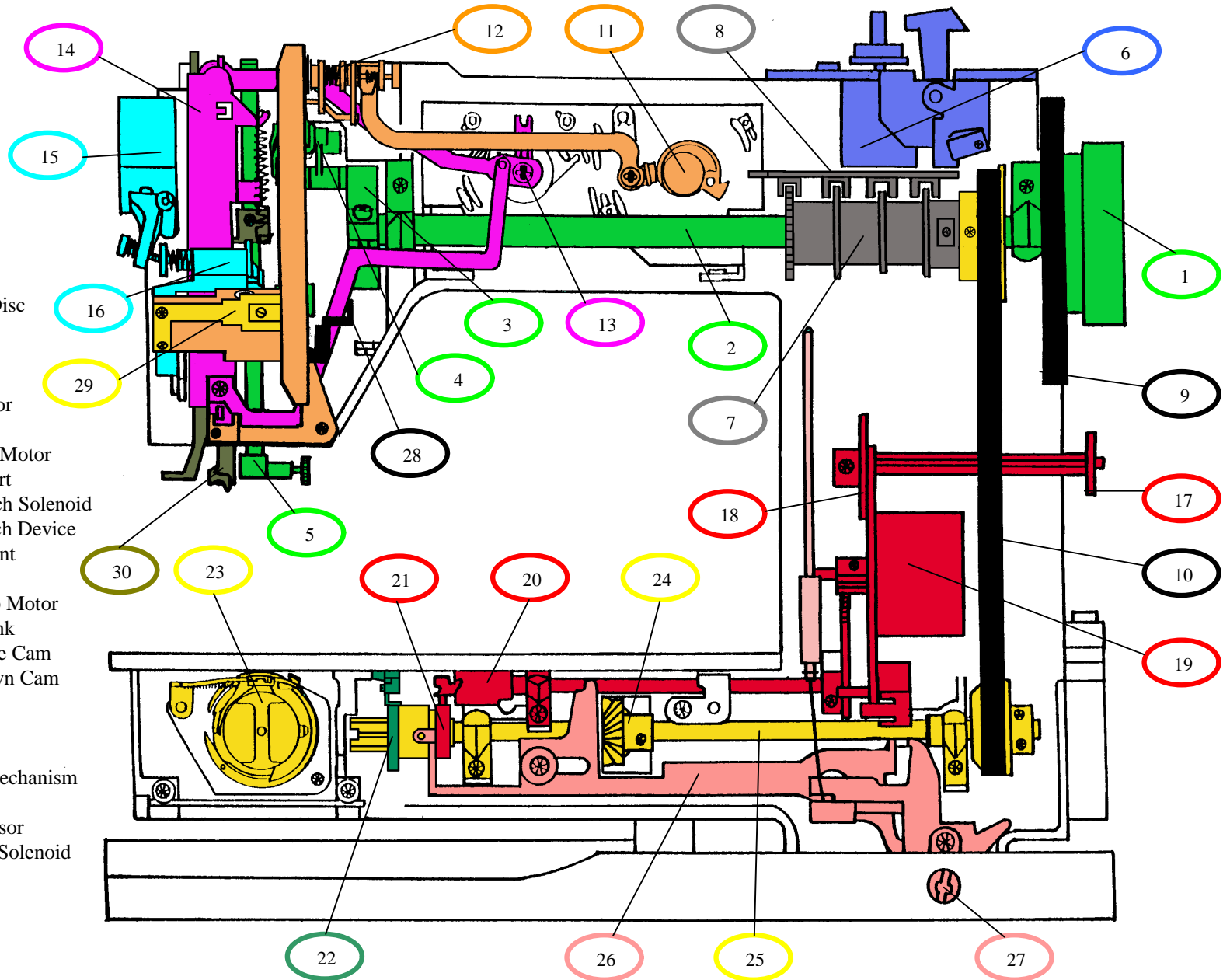
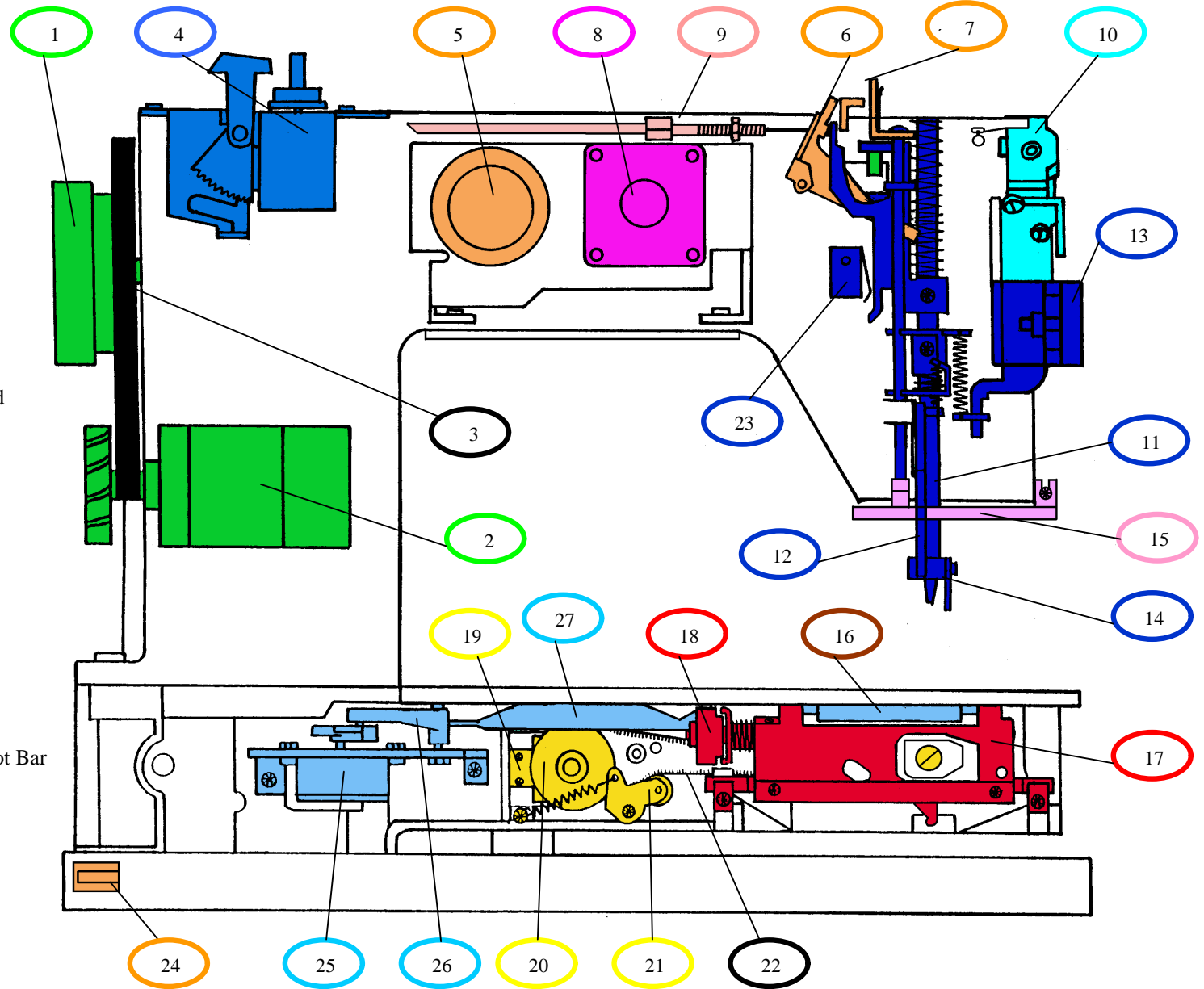


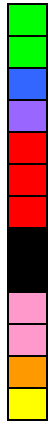
1. Hand Wheel
2. Main Shaft
3. Counter Weight
4. Take Up Lever
5. Needle Bar
6. Bobbin Winder
7. Synchronization Disc
8. P - Print
9. Drive Belt
10. Timing Belt
11. Tension Step Motor
12. Tension Unit
13. Stitch Width Step Motor
14. Needle Bar Support
15. Basting/Long Stitch Solenoid
16. Basting/Long Stitch Device
17. Balance Adjustment
18. Balance Cam
19. Stitch Length Step Motor
20. Stitch Length Crank
21. Feed Dog Advance Cam
22. Feed Dog Up/Down Cam
23. Rotary Hook
24. Bevel Gear
25. Feed Shaft
26. Feed Dog Drop Mechanism
27. Knee lever Insert
28. Upper Thread Sensor
29. Thread Clamping Solenoid
30. Needle Threader



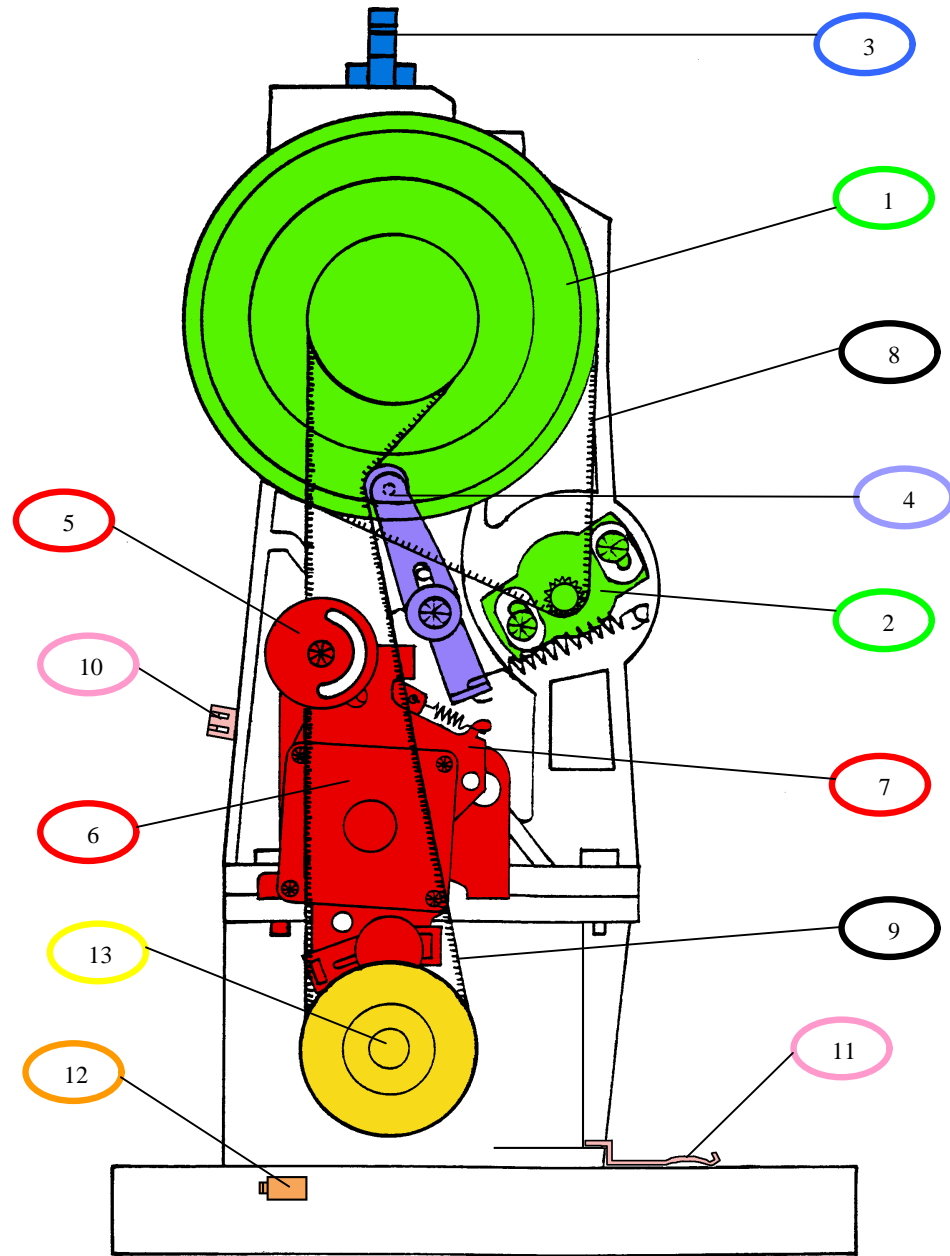


1. Hand Wheel
2. Main Motor
3. Drive Belt
4. Bobbin Winder
5. Tension Step Motor
6. Knee Lever Linkage to Raise Presser Foot Bar
7. Thread Guide
8. Stitch Width Step Motor
9. Knee Lever Cable
10. Basting/Long Stitch Solenoid
11. Presser Foot Bar
12. Presser Foot Lifter Lever
13. Presser Foot Pressure Dial
14. Presser Foot Clamp
15. CFL Light
16. Feed Dog Carrier
17. Feed Dog Support
18. Connection Arm Feed Dog Support/Stitch Length Crank
19. Front Bevel Gear
20. Back Bevel Gear
21. Timing Belt Tensioner
22. Hook Timing Belt
23. Micro Switch for Presser Foot Bar
24. Micro Switch for Feed Dog
25. Sideways Step Motor
26. Follower for Sideways Step Motor
27. Connecting Strap Sideways Step motor/Feed Dog



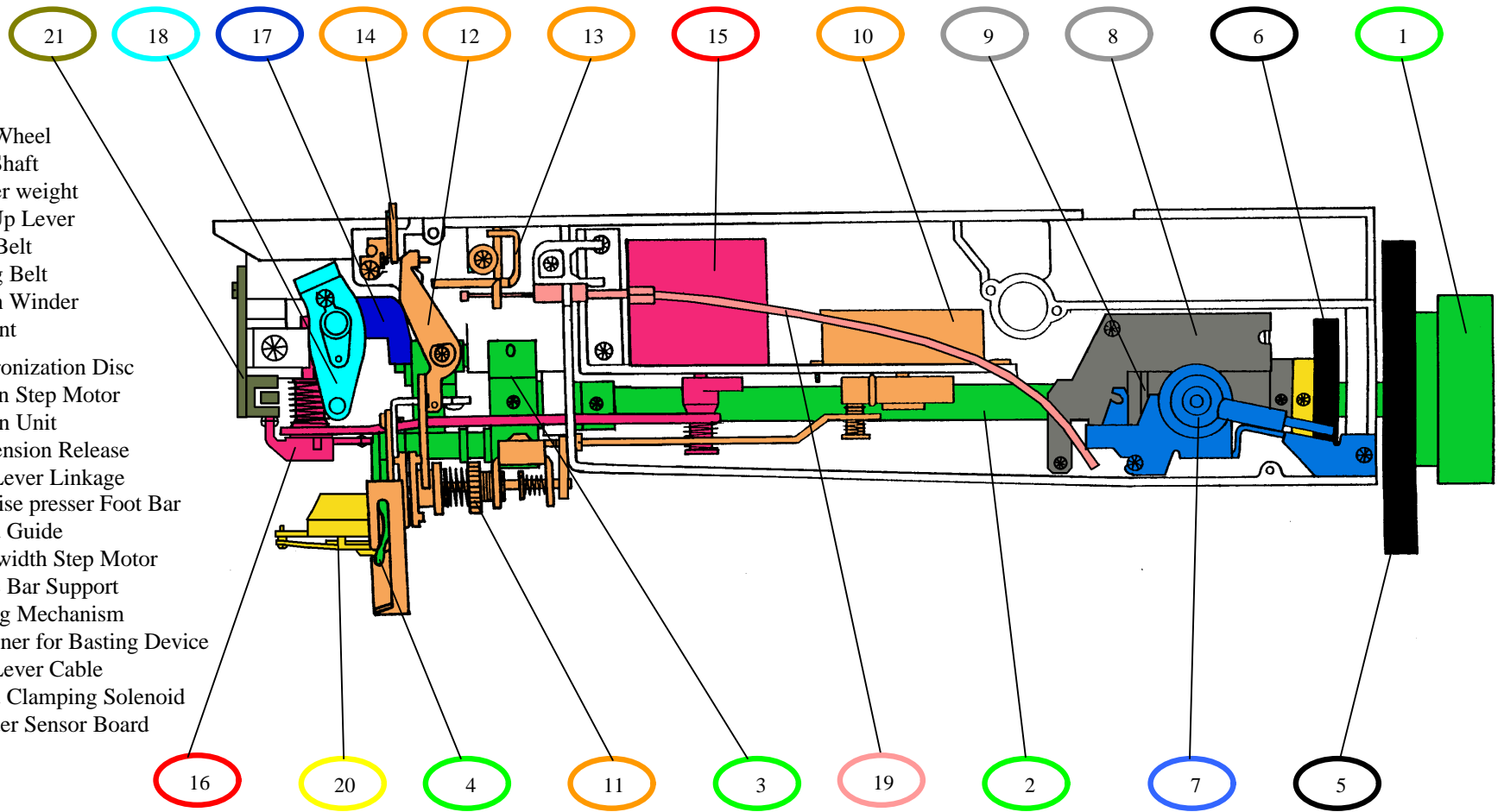


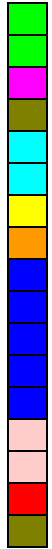
1. Hand Wheel
2. Main Motor
3. Bobbin Winder
4. Timing Belt Tensioner
5. Balance Adjustment
6. Stitch Length Step Motor
7. Support Plate for Stitch Length Step Motor
8. Drive Belt
9. Timing Belt
10. Ground Contact Spring for Main Print
11. Ground Contact Spring For L-Print
12. Micro Switch for Feed Dog
13. Feed Shaft





1. Hand Wheel
2. Main Shaft
3. Counter weight
4. Take Up Lever
5. Drive Belt
6. Timing Belt
7. Bobbin Winder
8. P – Print
9. Synchronization Disc
10. Tension Step Motor
11. Tension Unit
12. Top Tension Release
13. Knee Lever Linkage
To Raise presser Foot Bar
14. Thread Guide
15. Stitch width Step Motor
16. Needle Bar Support
17. Darning Mechanism
18. Cushioner for Basting Device
19. Knee Lever Cable
20. Thread Clamping Solenoid
21. Threader Sensor Board





1. Take Up Lever
2. Counter Weight
3. Needle Bar Support
4. Needle Threader
5. Basting/Long Stitch Solenoid
6. Basting/Long Stitch Device
7. Thread Clamping Solenoid
8. Check Spring
9. Presser Foot Pressure Dial
10. Presser Foot Lifter Lever
11. Presser Foot Bar
12. Presser Foot Clamp
13. Presser Foot
14. Print for CFL Light
15. CFL Light
16. Magnifier Holder
17. Threader Sensor Board

